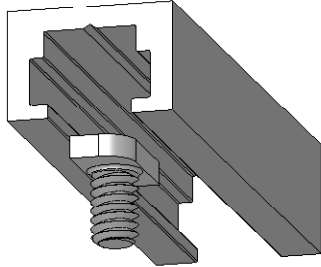
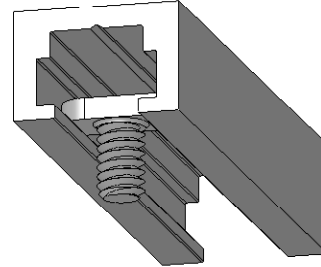


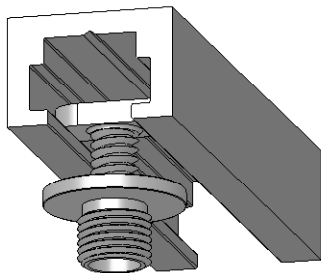
# Ceiling Mounts Installation Guidelines



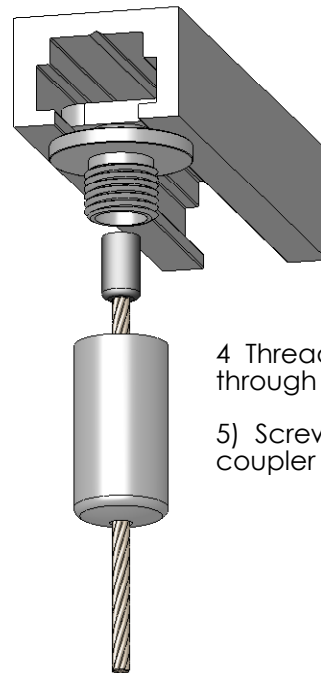
1) Insert track clip into track.



2) Rotate track clip 90° in track.



3) Screw coupler base plate onto track clip.



4) Thread open end of cable through coupler body.

5) Screw coupler body onto coupler base plate.

DATE: 09/18/08

SCALE: 1:1

FILE: Ceiling Track Mounts  
Instructions

## PROPRIETARY AND CONFIDENTIAL

This drawing and these specifications are the exclusive property of GRIPLOCK SYSTEMS LLC and shall not be divulged, reproduced, copied, or used as the basis for the manufacture or sale of apparatus without the express written authorization of GRIPLOCK SYSTEMS LLC.



## GRIPLOCK SYSTEMS

410 Palm Ave. Loft A18, Carpinteria, CA 93013  
Phone (805) 566-0064 Fax (805) 566-0065  
[www.griplocksistemas.com](http://www.griplocksistemas.com)