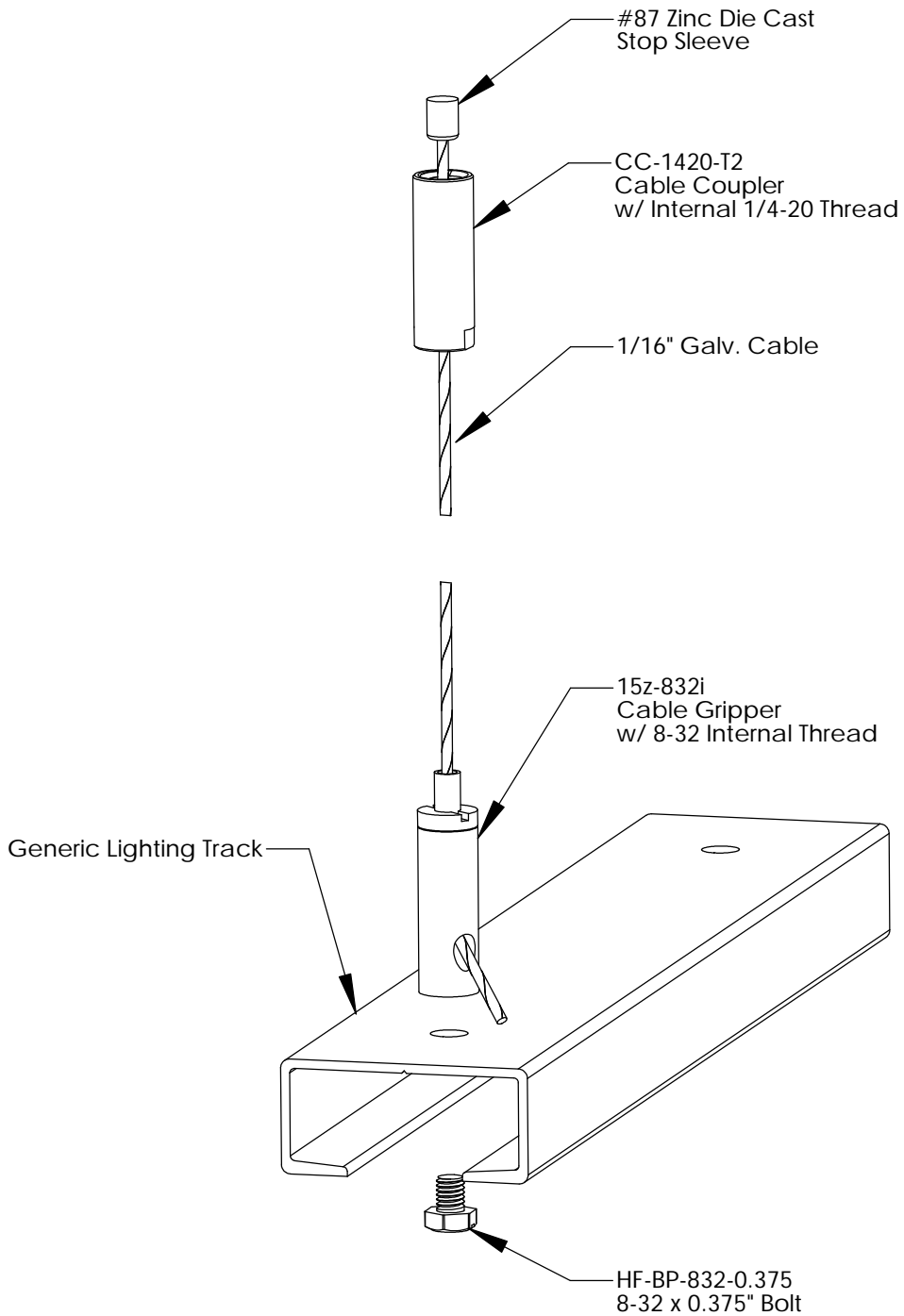


# Lighting Track NPF Suspension Set



**PROPRIETARY AND CONFIDENTIAL**  
 This drawing and these specifications are the exclusive property of REUTLINGER USA INC. and shall not be divulged, reproduced, copied, or used as the basis for the manufacture or sale of apparatus without the express written authorization of REUTLINGER USA INC.

REF: \_\_\_\_\_ DATE: 12/17/03

MATERIAL: NA

SCALE: 1:1 FILE: lighting track suspension



**GRIPLOCK SYSTEMS**  
 410 Palm Ave. Loft A18, Carpinteria, CA 93013  
 Phone (805) 566-0064 Fax (805) 566-0065

GRIPLOCK NAME: Lighting Track Sus. Set

DESCRIPTION: Non Powerfeed Lighting Track Suspension Set