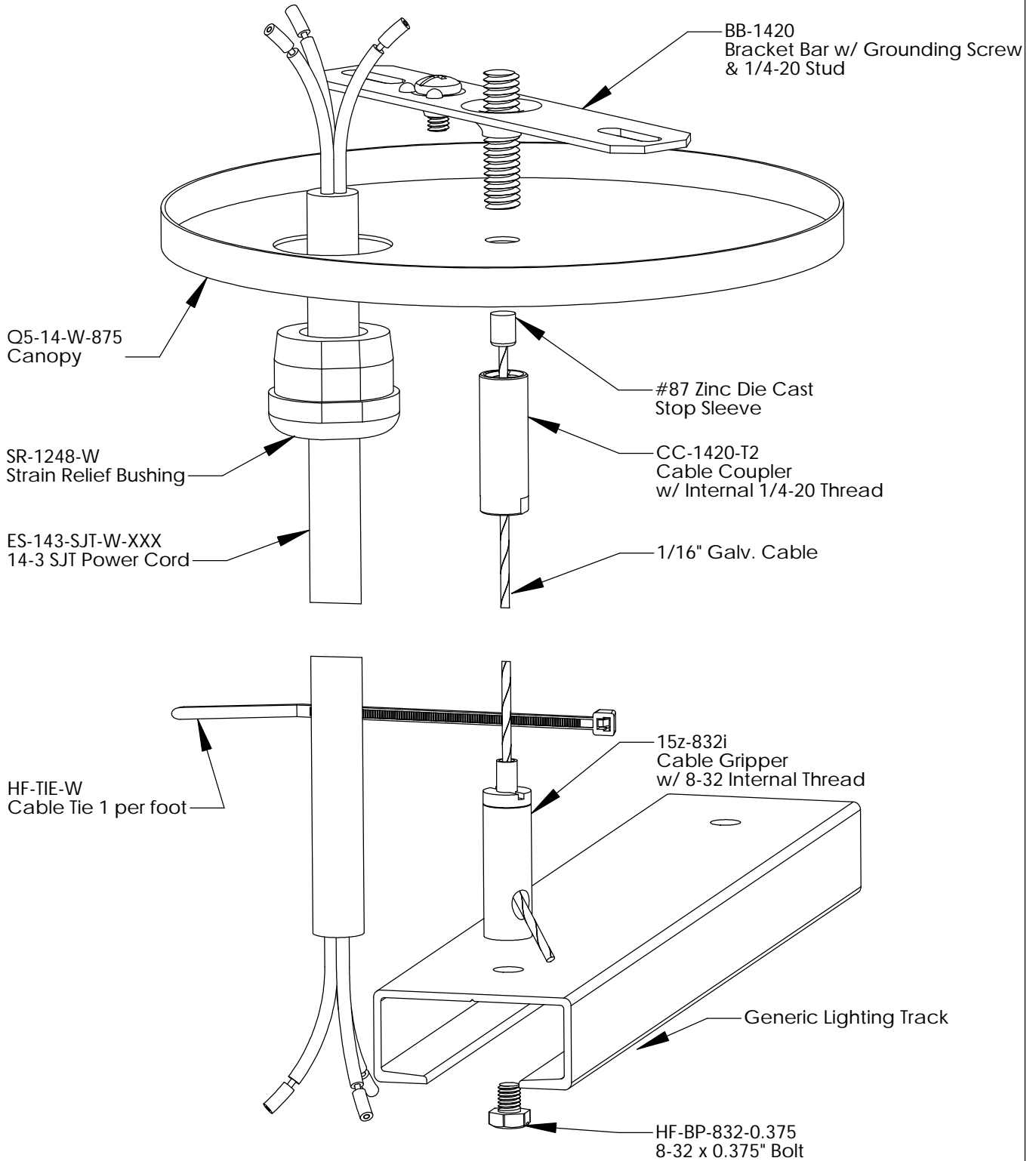


Lighting Track PFS Suspension Set



PROPRIETARY AND CONFIDENTIAL

This drawing and these specifications are the exclusive property of REUTLINGER USA INC. and shall not be divulged, reproduced, copied, or used as the basis for the manufacture or sale of apparatus without the express written authorization of REUTLINGER USA INC.

REF: _____ DATE: 07/21/05
 MATERIAL: NA
 SCALE: 1:1 FILE: lighting track PFS suspension

**GRIP
LOCK
SYSTEMS**

GRIPLOCK SYSTEMS

410 Palm Ave. Loft A18, Carpinteria, CA 93013
 Phone (805) 566-0064 Fax (805) 566-0065

GRIPLOCK NAME: Lighting Track PF Sus. Set

DESCRIPTION: Powerfeed Lighting Track

Suspension Set